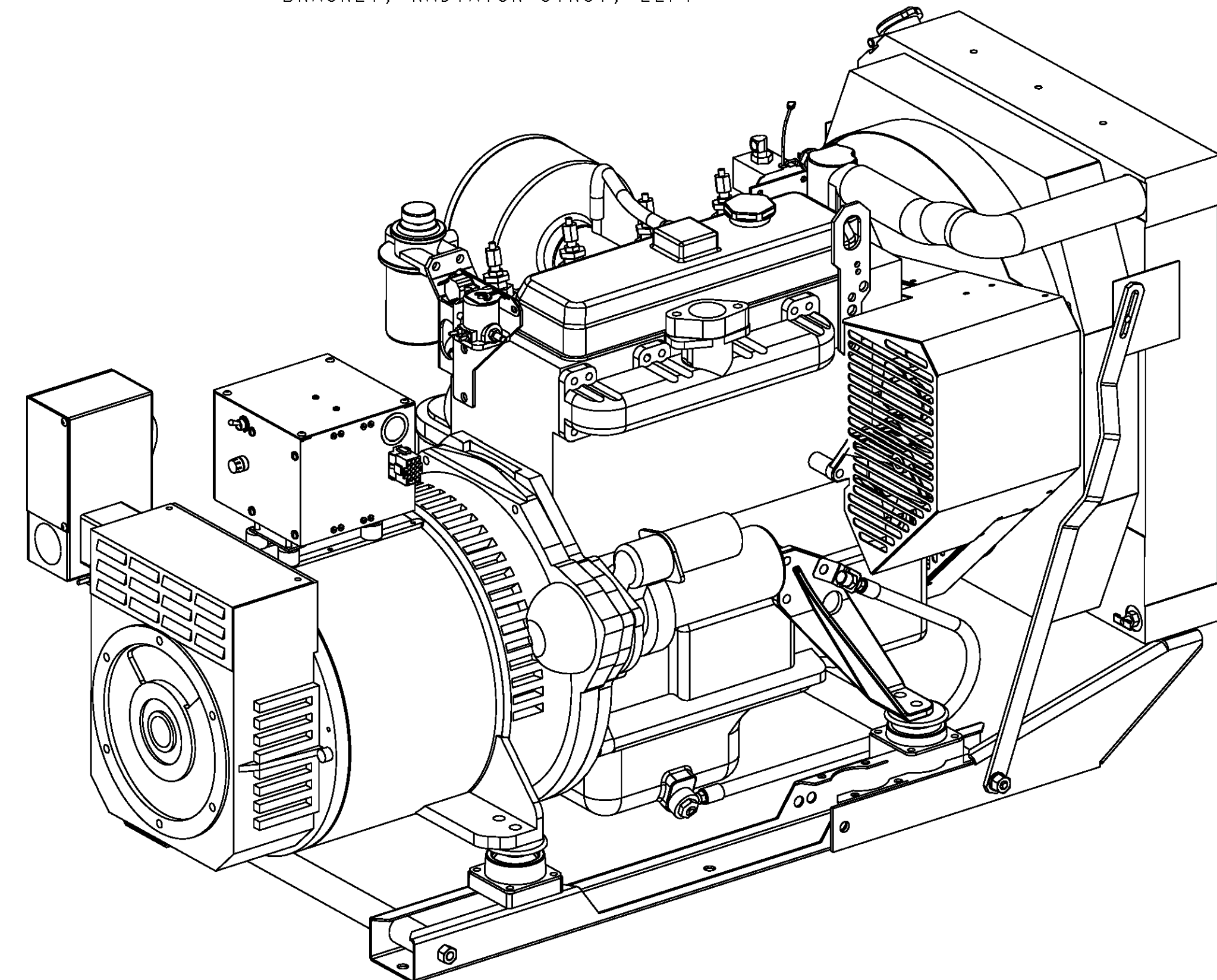
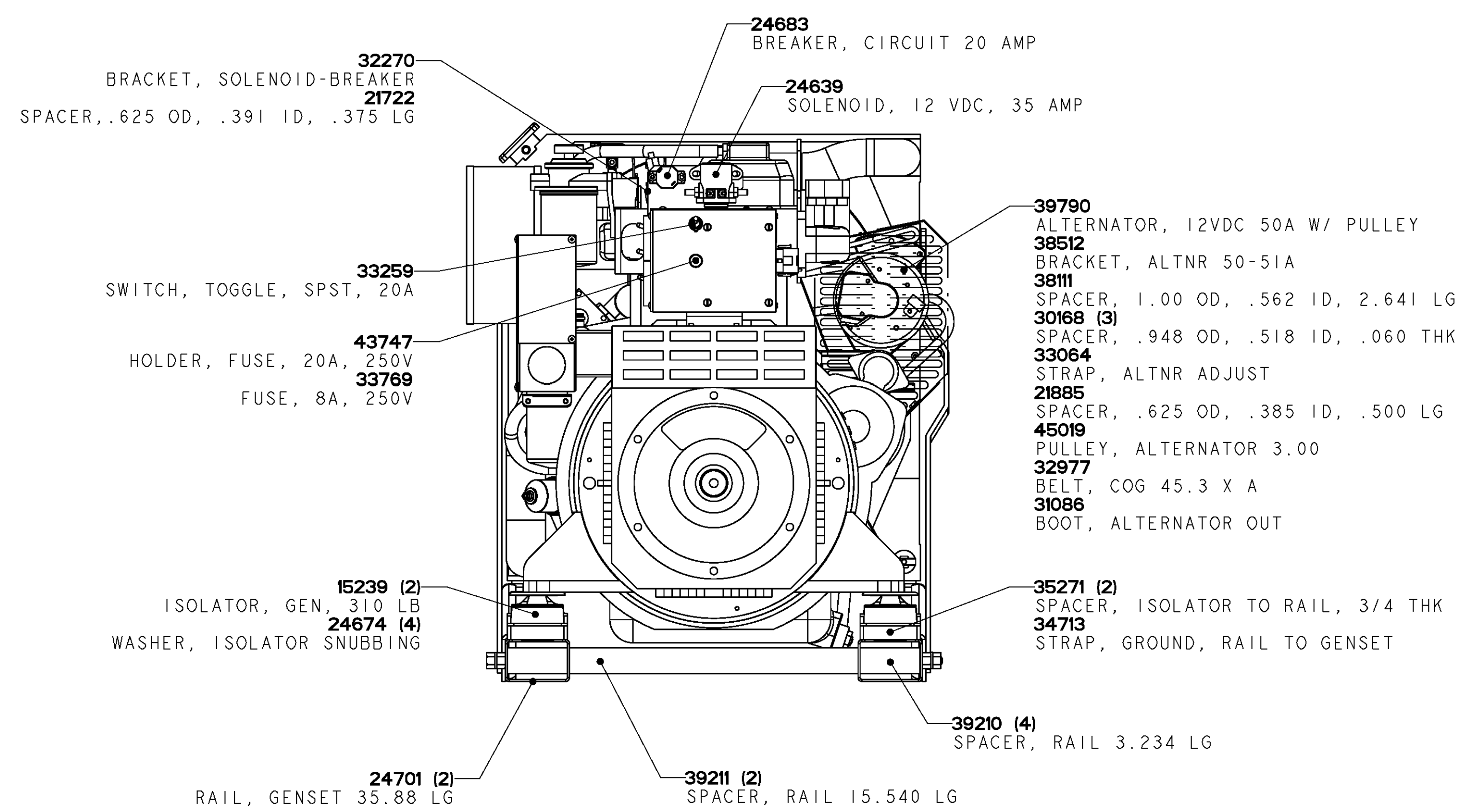
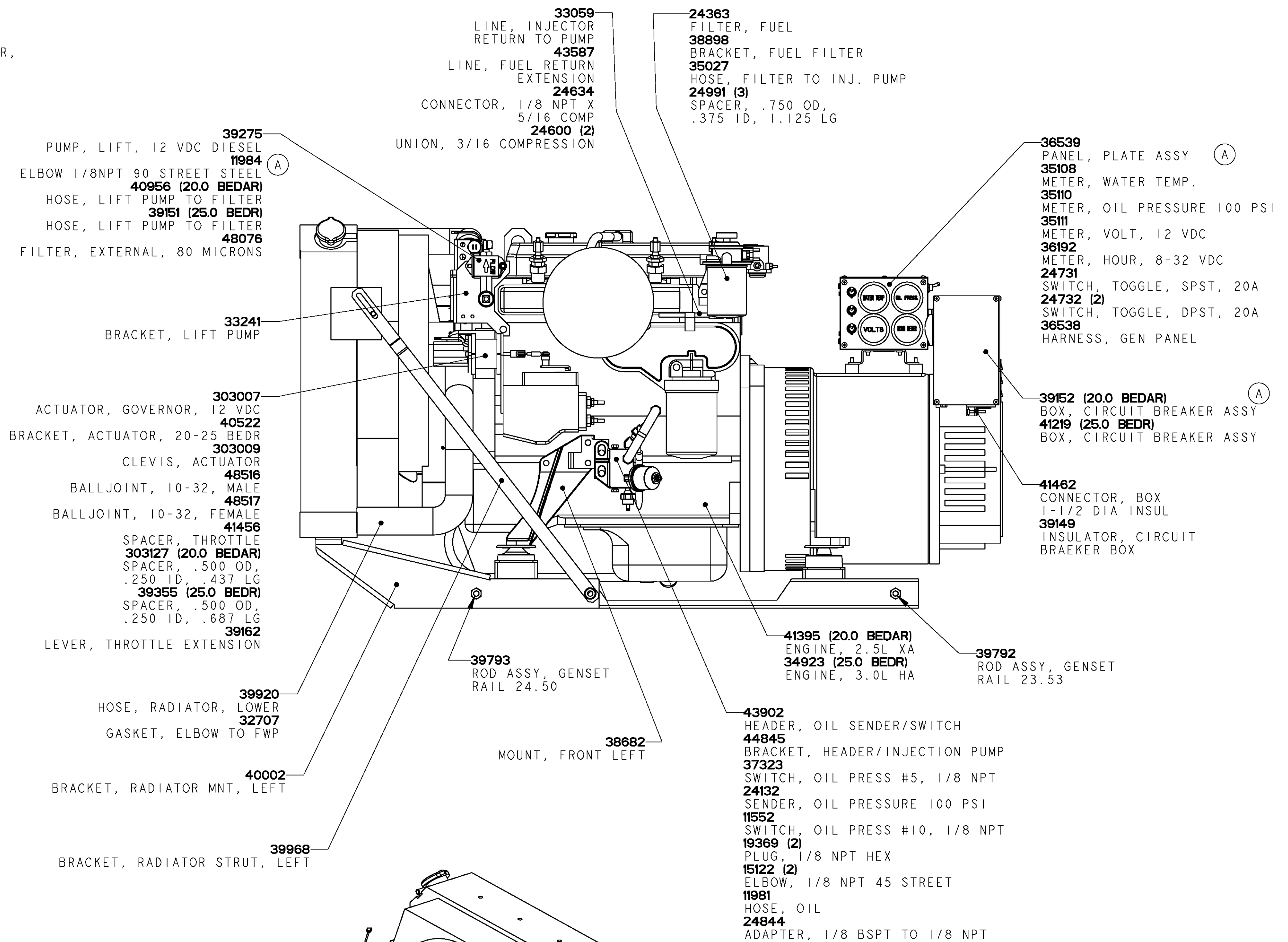
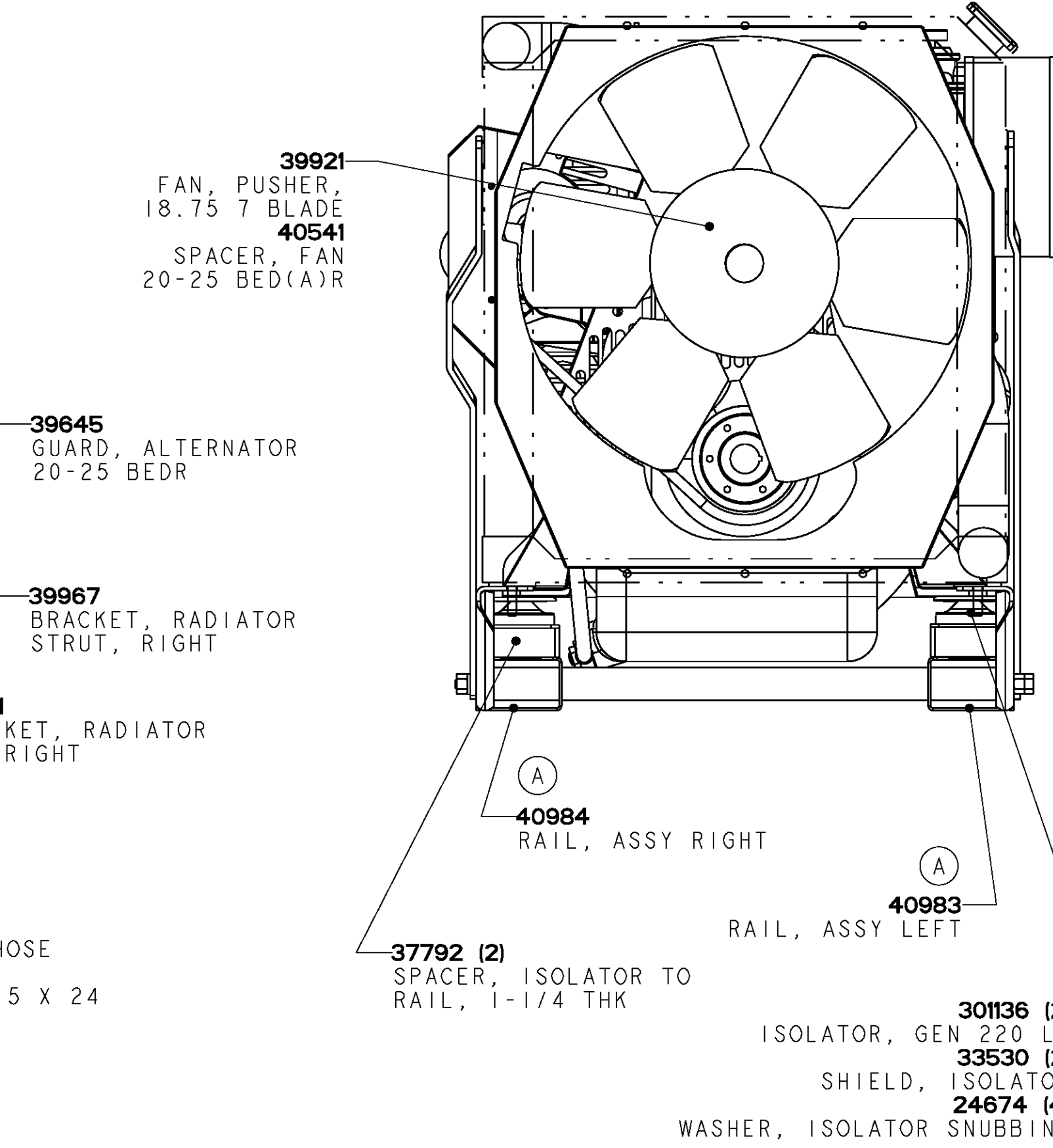
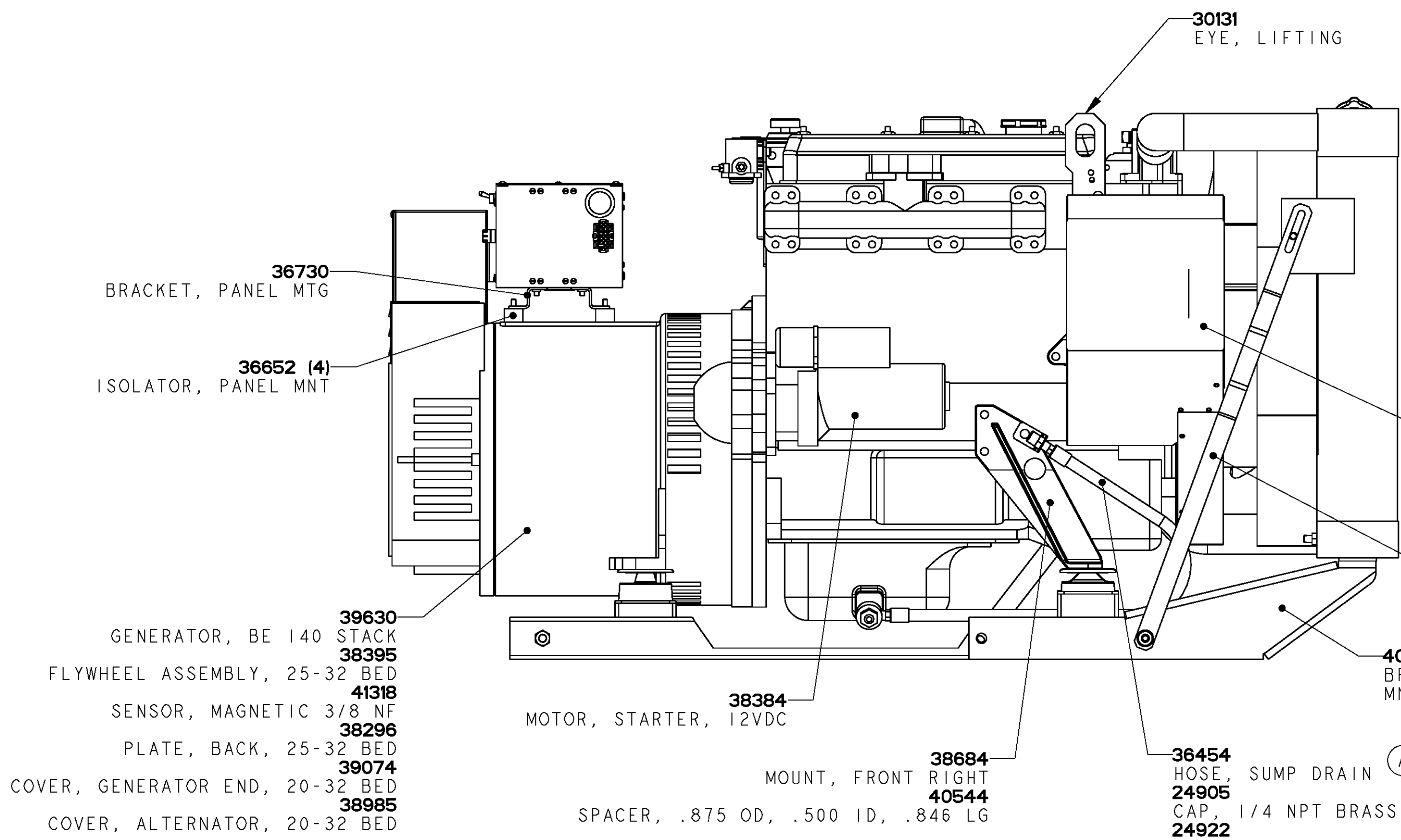
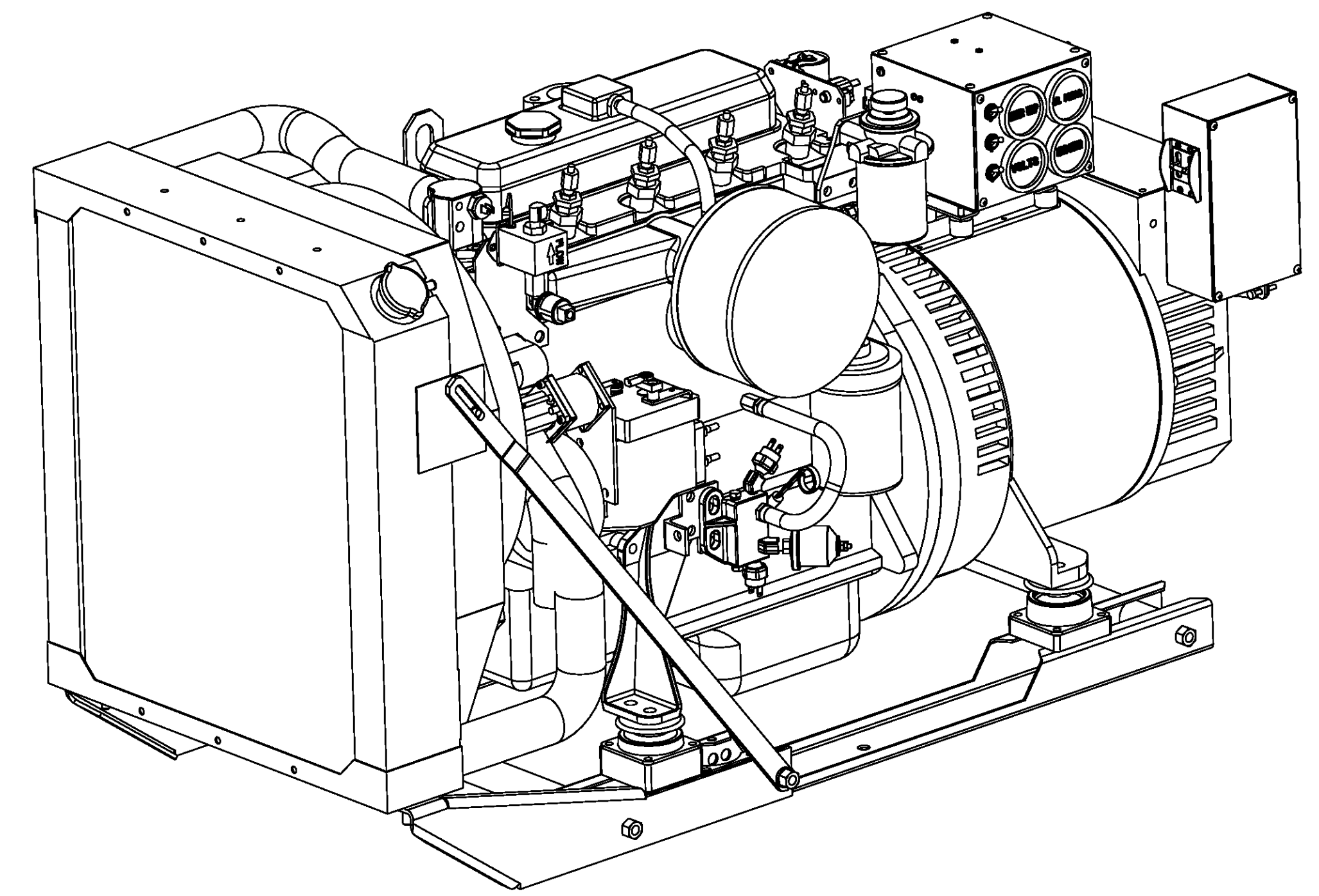
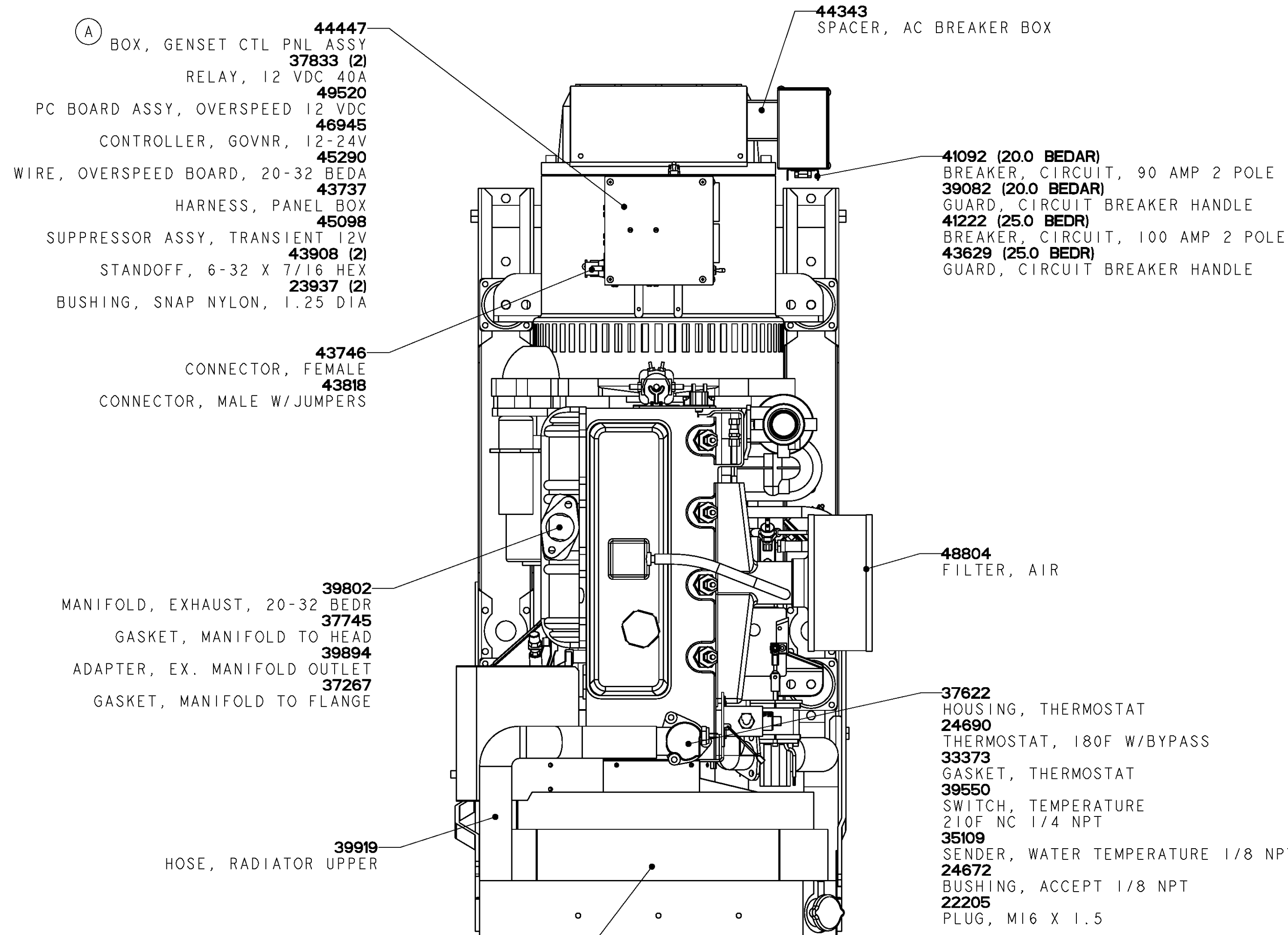


SERVICE PARTS					
39790	ALTERNATOR, 50A, 12VDC	36192	METER, HOUR		
32977	BELT, ALTERNATOR, 12VDC	37603	OIL PRESSURE METER		
24306	CAP. PRESSURE	24132	OIL PRESSURE SENDER		
24683	CIRCUIT BREAKER, 20A, 12VDC	37323	OIL PRESSURE SWITCH		
39666	DIODE	13758	PAINT, RED AEROSOL		
32646	DIPSTICK	42307	PAINT, WHITE AEROSOL		
42336	ELECTRONIC VOLTAGE REGULATOR	36539	PANEL, GENSET CONTROL		
33259	EMERGENCY STOP SWITCH	24943	PANEL, REMOTE STOP/START		
24363	FILTER, FUEL (SPIN ON)	24732	PREHEAT & START SWITCH		
40154	FILTER, LUBE OIL	32711	PUMP, FRESH WATER		
33094	FUEL HARDWARE KIT	39275	PUMP, FUEL LIFT		
39676	GASKET SET, COMPLETE	32973	REMOTE LUBE OIL FILTER		
39675	GASKET SET, UPPER	48804	SILENCER/FILTER, AIR INTAKE		
32712	GASKET, FRESH WATER PUMP	24338	SOLENOID, FUEL SHUT OFF, 12VDC		
32641	GASKET, HEAD	24639	SOLENOID, PREHEAT, 12VDC		
32716	GASKET, OIL PAN	44490	SPARE PARTS KIT A		
24353	GLOWPLUG	38384	STARTER MOTOR, 12VDC		
30760	HARNESS, 15 FT. EXT, 8 PIN	39523	STARTER SOLENOID, 12VDC		
39920	HOSE, RADIATOR TO FWP	24731	SWITCH, STOP		
39919	HOSE, RADIATOR, UPPER	24977	TANK, COOLANT RECOVERY		
32748	INJECTION PUMP	24690	THERMOSTAT		
32743	INJECTOR	33373	THERMOSTAT MOUNTING GASKET		
32744	INJECTOR NOZZLE	32639	VALVE COVER GASKET		
32745	INJECTOR RETURN LINE	37605	VOLTMETER		
30136	ISOLATOR, FRONT	37601	WATER TEMPERATURE METER		
15239	ISOLATOR, REAR	35109	WATER TEMPERATURE SENDER		
39835	MANUAL, OPERATOR	39550	WATER TEMPERATURE SWITCH		
43400	MANUAL, INSTALL, MOBILE GEN	11895	ZINC		
ITEMS NOT SHOWN					
43846	HARNESS, GENSET, 20.0-25.0 BED SRC				



TOLERANCES (UNLESS OTHERWISE NOTED)		WESTERBEKE CORPORATION TAUNTON, MA. 02780	
INCHES	MILLIMETERS	TITLE	
.XX ± .001	X ± .1	PARTS LIST - 20.0 BEDAR - 25.0 BEDR	
.XX ± .005	X ± .5		
CAST ± .003	.XX ± .13		
FINISH ± .001			
DIMENSIONS	DATE	APPROVED BY	DATE
INCHES	28/Sep/04		
MILLIMETERS			
SCALE 0.187	SIZE	DRAWING NUMBER	REV.
(WHEN APPLICABLE)	E	49719	A